

# Cedar Wishing Well Assembly Instructions

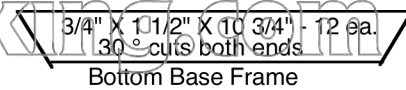
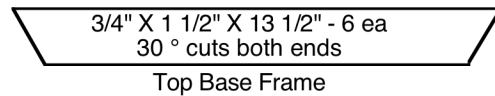
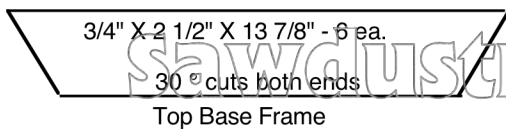
Plan # 102



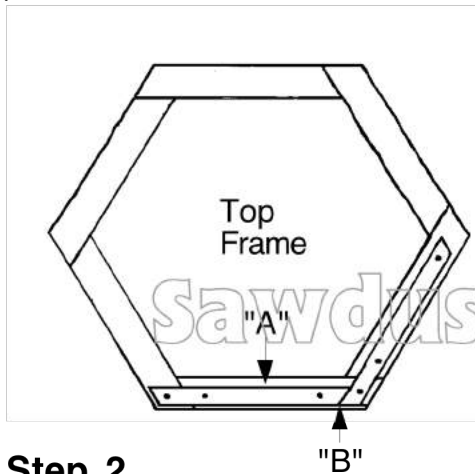
## Material List

1 X 2 - 44'	1 1/16" dowel - 24"
1 X 3 - 38'	3/8" lath - 5'
1 X 6 - 10'	Cedar shingles - to cover 6 square ft.
2 X 4 - 8'	Shingle Nails
1 1/4" screws	10' - 3/8" sisal rope
1 3/4" screws	

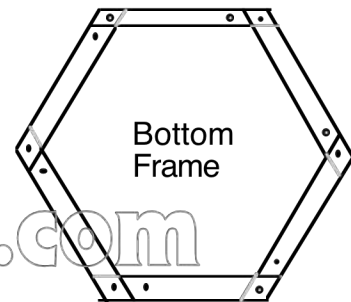
## Step 1



Cut the pieces for the top and bottom frames and assemble lapping the joints as shown. Fasten each piece with three 1 1/4" screws.

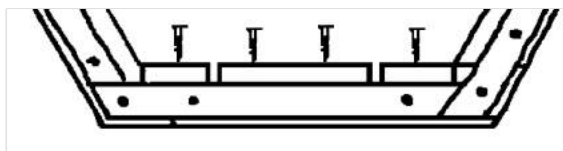


Note:  
Use a spacer the thickness of the panel boards to determine distance "A", there may be a space where the narrow frame boards meet at "B".



## Step 2

Cut the six wide and twelve narrow panel boards, assemble the base by fastening panel boards to inside of top frame and outside of bottom frame with 1 1/4" screws.



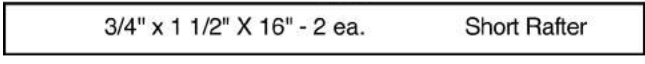
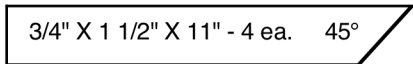
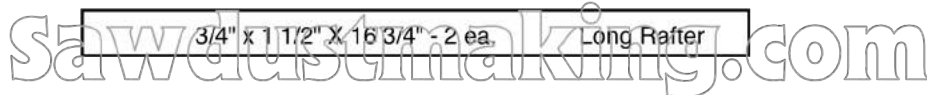
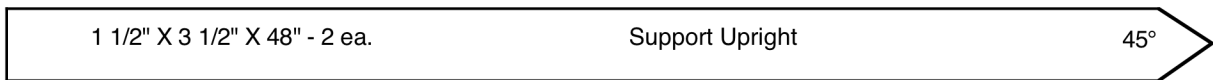
3/4" X 5 1/2" X 17 1/4" - 6 ea.

Base Panel

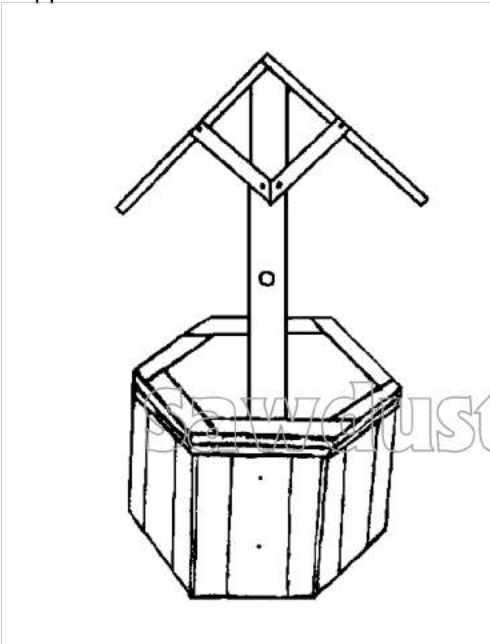
3/4" X 2 1/2" X 17 1/4" - 12 ea.

Base Panel

### Step 3

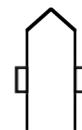


Cut the two uprights then drill a 1 1/8" hole in each 28" from the square end, then cut the four rafters and the four support braces. Using one long and one short rafter fasten them to the top of the uprights with 1 3/4" screws, repeat for the second one, then fasten the supports with 1 1/4" screws. Attach completed roof supports to base with 1 3/4" screws through wide panel boards.

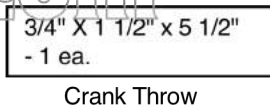


### Step 4 (Optional)

If you are making the roof planter attach two strips 19" long 6" from the top of uprights to hold the plant pot.

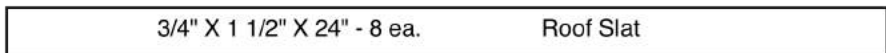


### Step 5

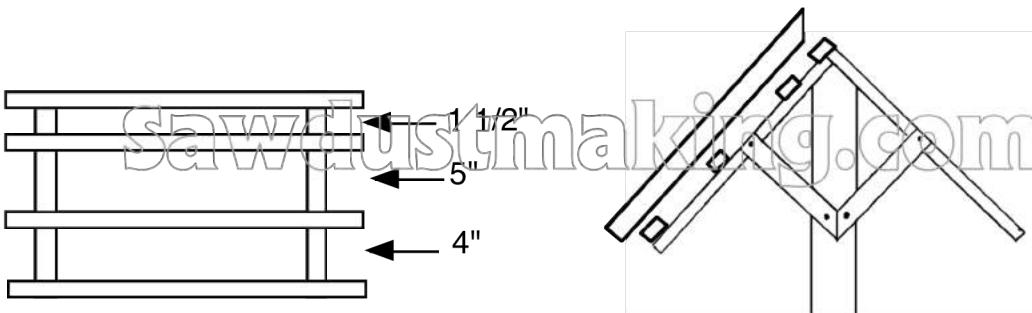


Cut the crank throw, and the two peices of dowel, drill 1/8" holes 3/4" from each end of the crank throw and assemble crank with 1 3/4" screws.

### Step 6

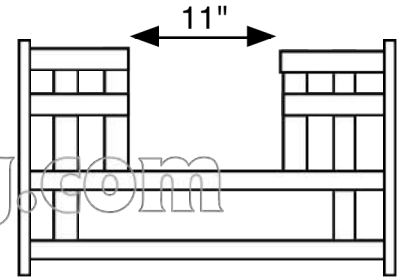


Cut the eight roof slats and four gable trim boards, with 1 1/4" screws attach the roof slats spaced as shown, then attach trim boards with 1 3/4" screws.



## Step 7 (Optional)

If you are making the roof planter cut 11" out of the center of the top two roof slats on each side, fasten the strips that have been removed to the fixed roof slats as shown with 1 1/4" screws. Trim 6 1/2" off the butt of each of the shingles in the first row, overhang the bottom slat by 2" and the trim board by 1/2" nailing into the bottom slat. Lay a second layer of shingles trimmed at the thin end to 13" long over the first covering the joints nailing into the second slat. Lay a second row of 13" long shingles on each side of opening nailing into third slat and 6 1/2" butts cut from first layer below opening spaced 6 1/2" from bottom. Lay a third row using remaining 6 1/2" butts on each side of opening 13" from bottom. Trim the ridge with lath or rip shingles as this is only a short span.

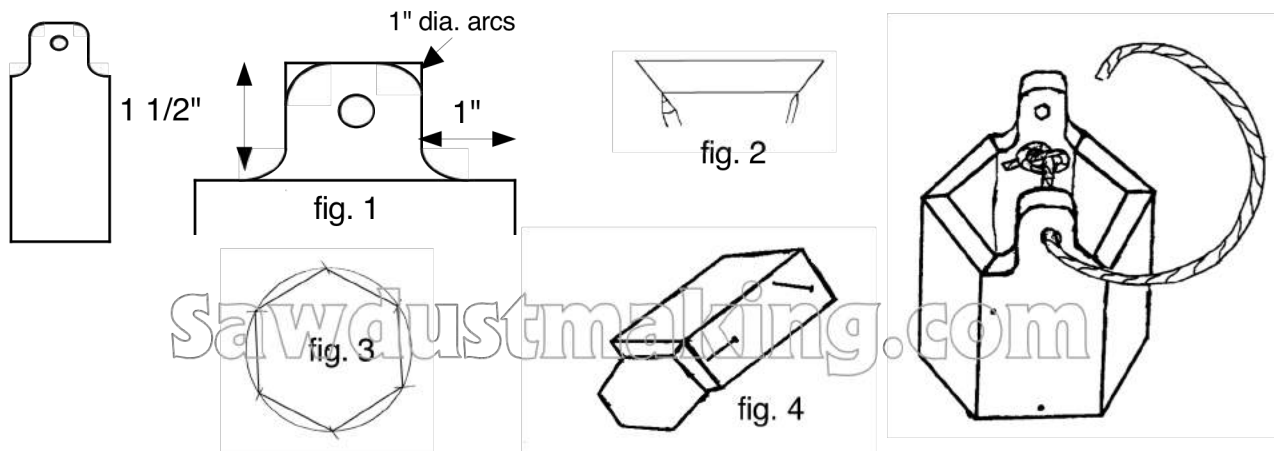


## Step 8 (Omit if step 7 done)

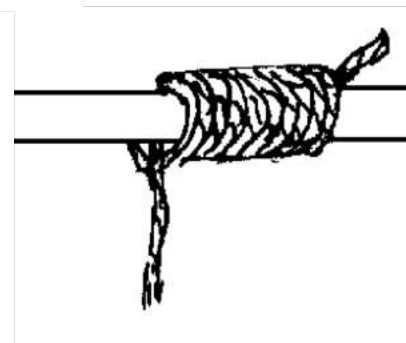
Trim 6 1/2" off the butt of each shingle for the first row overhanging the bottom slat by 2" and the trim boards by 1/2" nailing into first slat. Lay a second layer covering the joints of the first layer nailing into second slat. Lay a second row cut to 13" long at the thin end spaced 6 1/2" from bottom nailing into third slat. Lay a third row 13" from bottom using the butts cut from first layer nailing into fourth slat. Trim the ridge with 3/8" thick lath.

## Cedar Bucket

Start with a 3/4" X 3 1/2" X 48" strip and bevel the sides at a 30 ° angle, cut four pieces 7" long and two 8 1/2" long. Shape the top of the 8 1/2" pieces as shown in fig. 1. With a compass measure the distance across the short edge of the boards see fig. 2. Using this measurement draw a circle on a 3/4" X 5 1/2" X 5 1/2" piece, then with the same compass setting mark six arcs around the circumference of the circle, connect each arc with a line to form a hexagon as in fig. 3. Cut out the hexagon and with 1 1/2" galvanized finishing nails fasten the strips to the base and to each other as shown in fig. 4, making sure 8 1/2" strips are opposite each other.



Cut 22" of the 3/8" rope and use for handle. Wrap remainder of rope around crank shaft and loop end to keep it from unwinding, Tie end of rope to bucket handle.



*Mendoc. Media* ©

Cedar Wishing Well  
Plan # 102